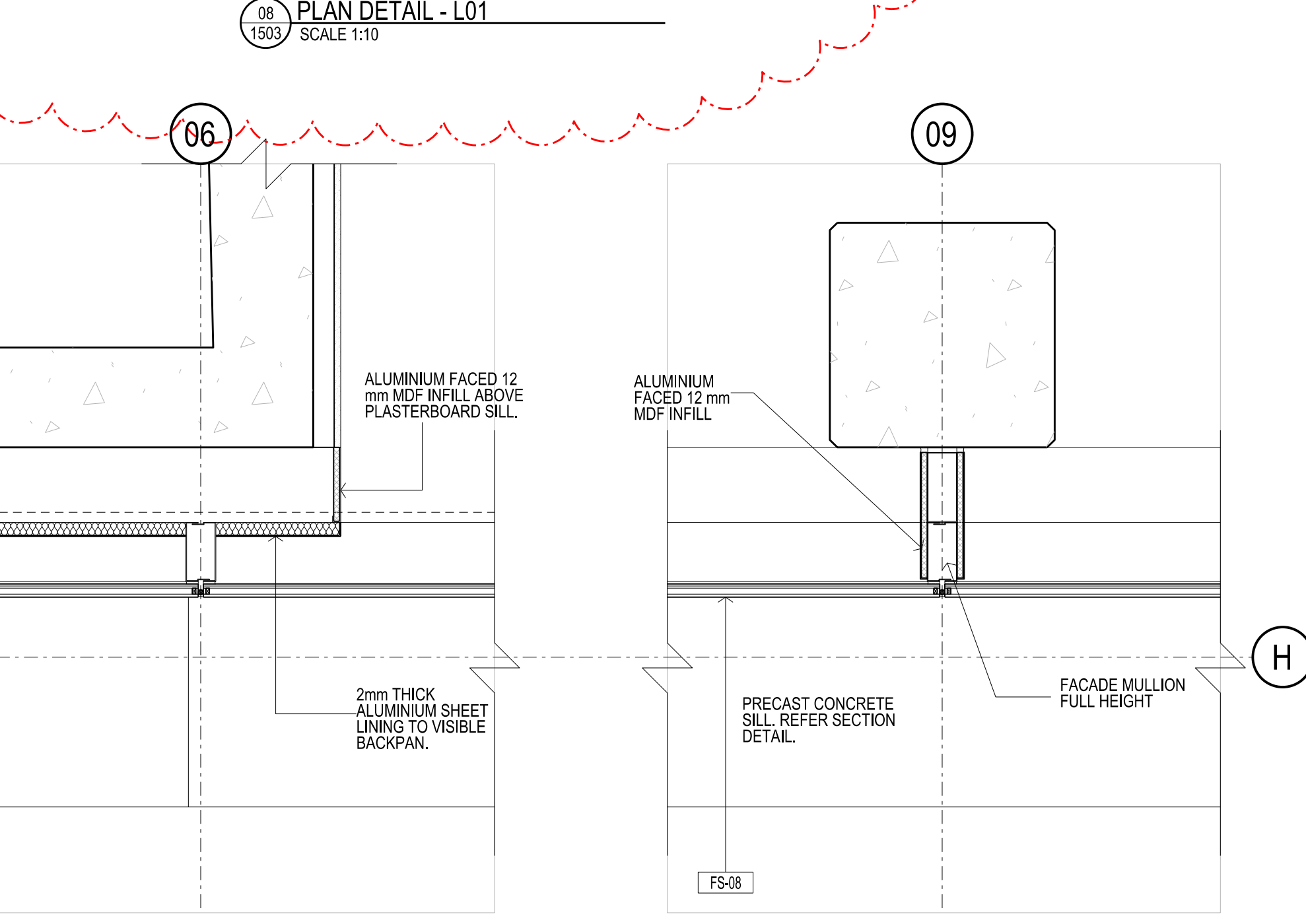
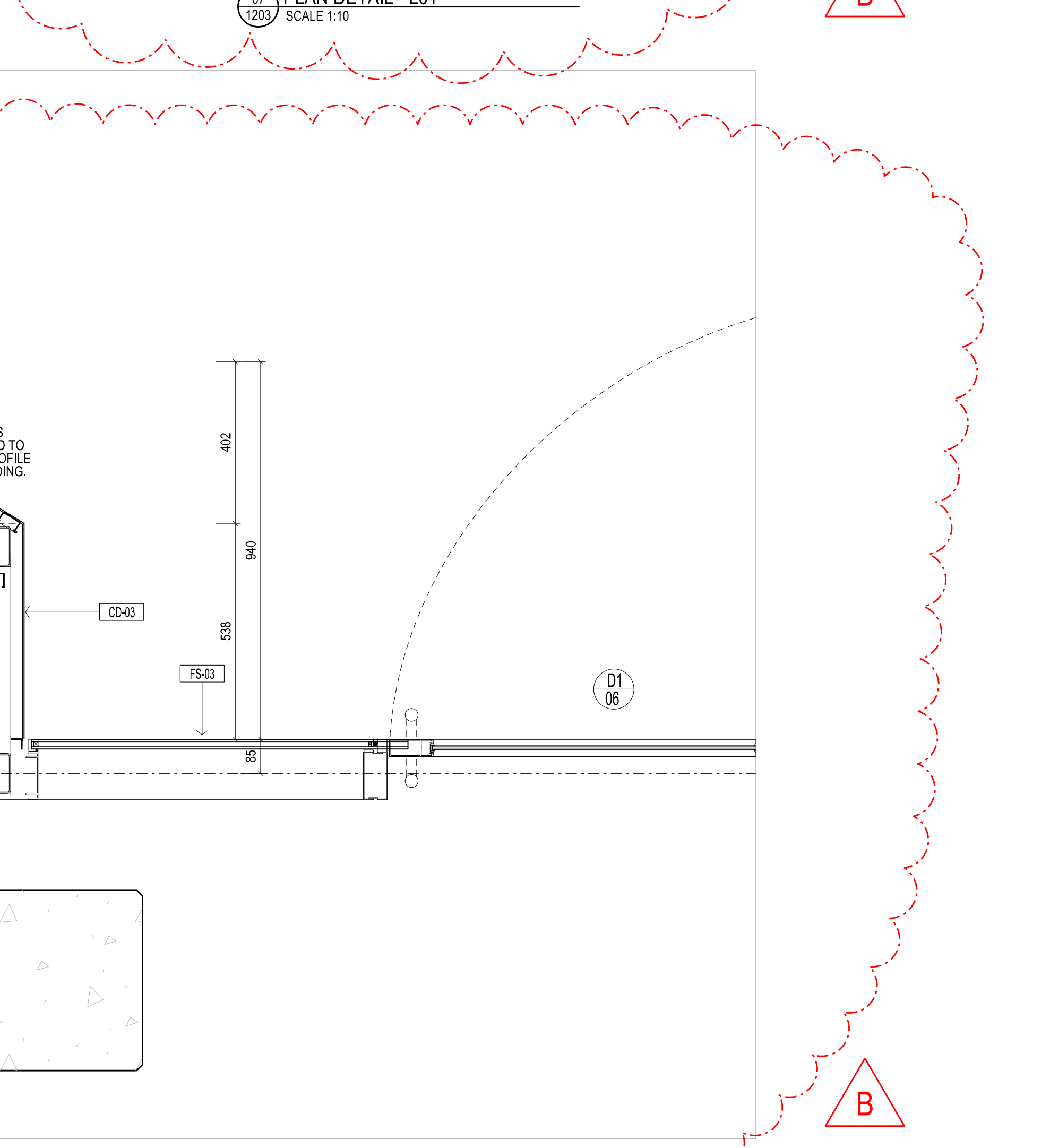
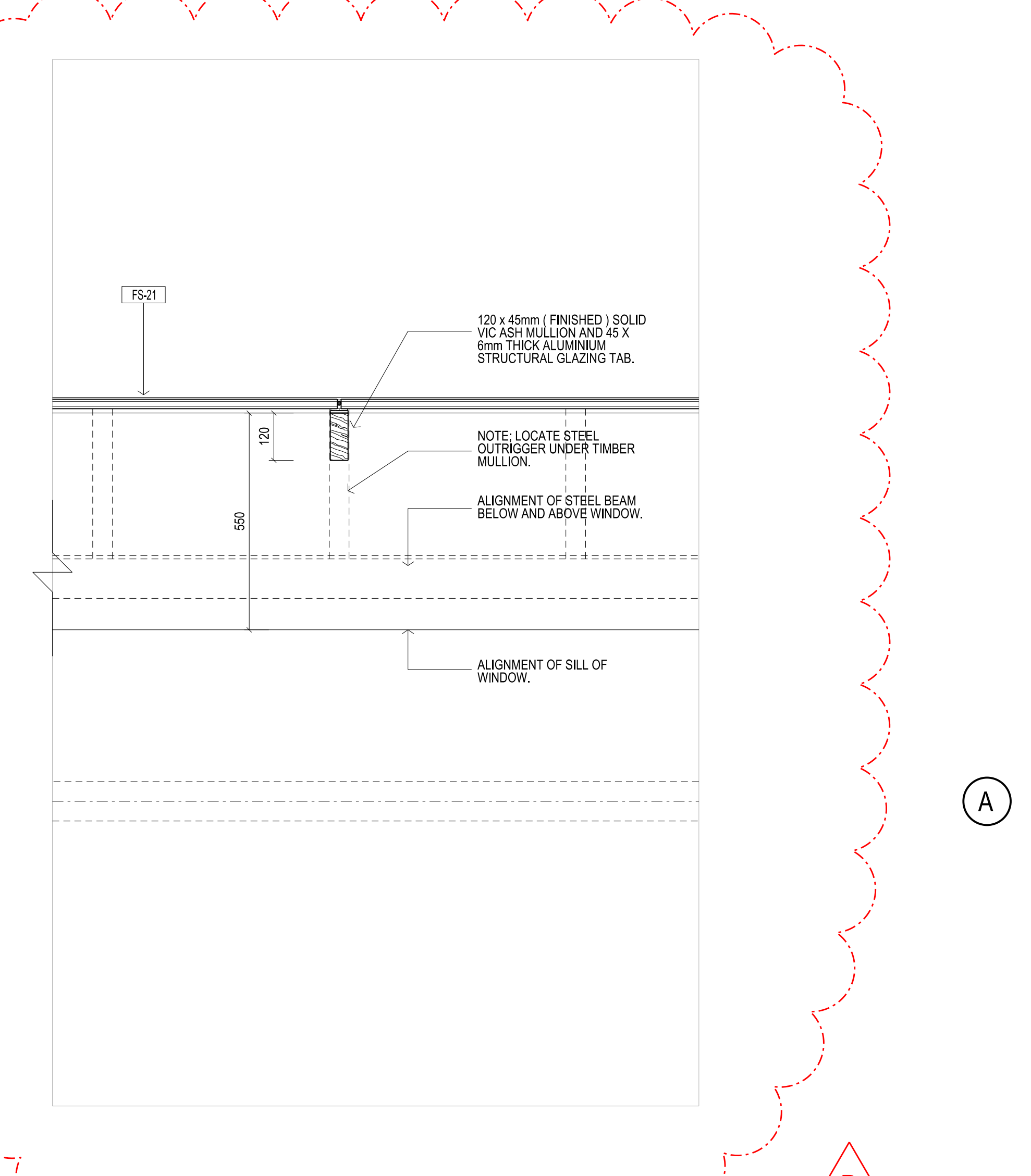
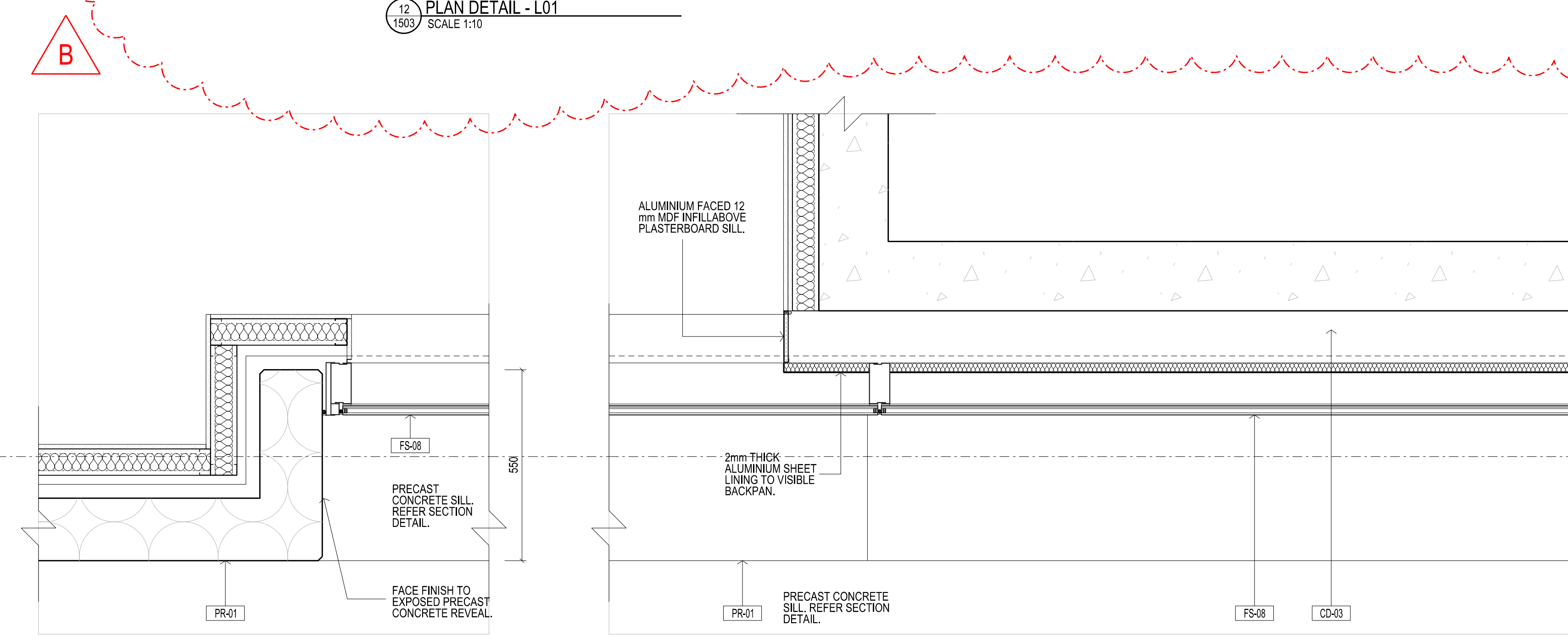
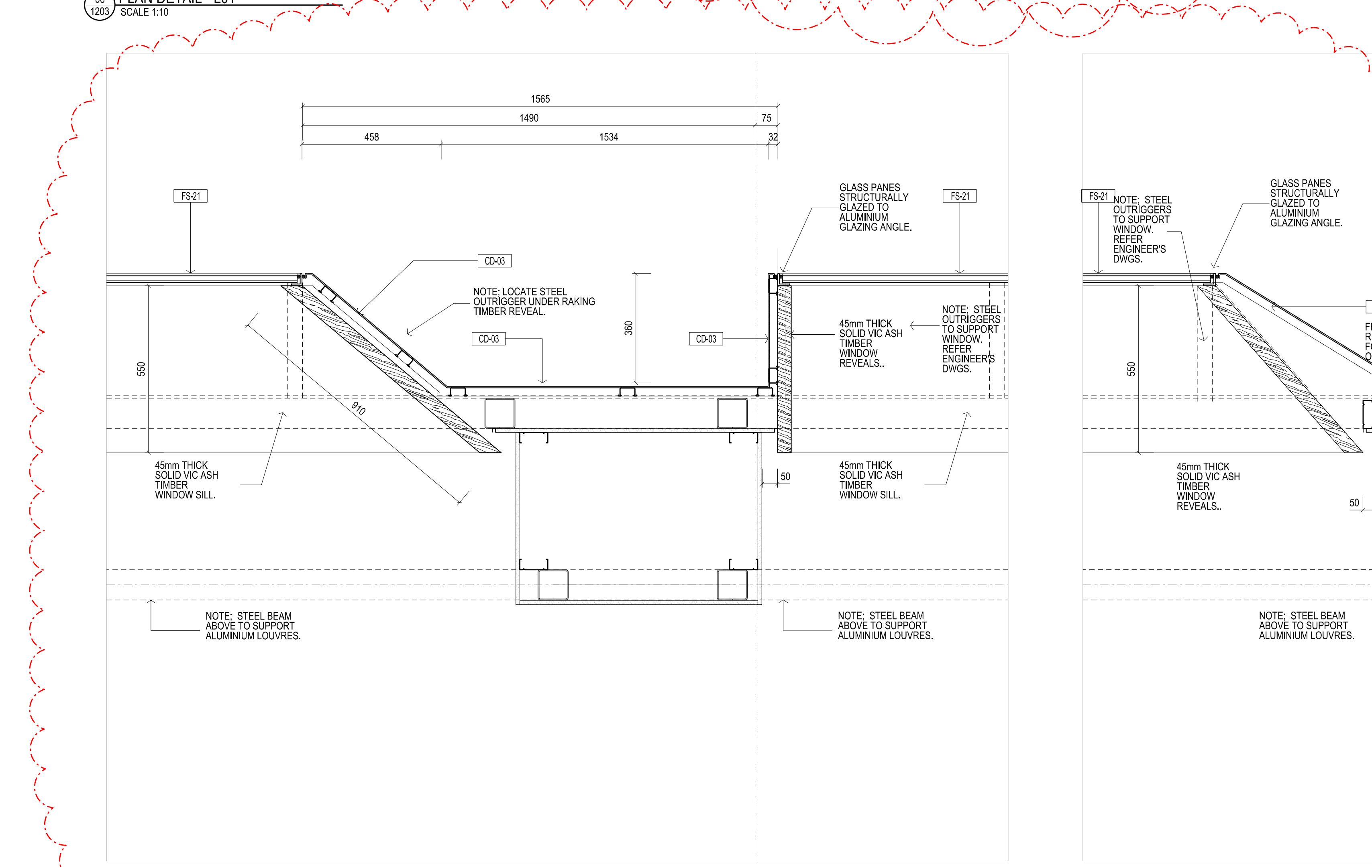
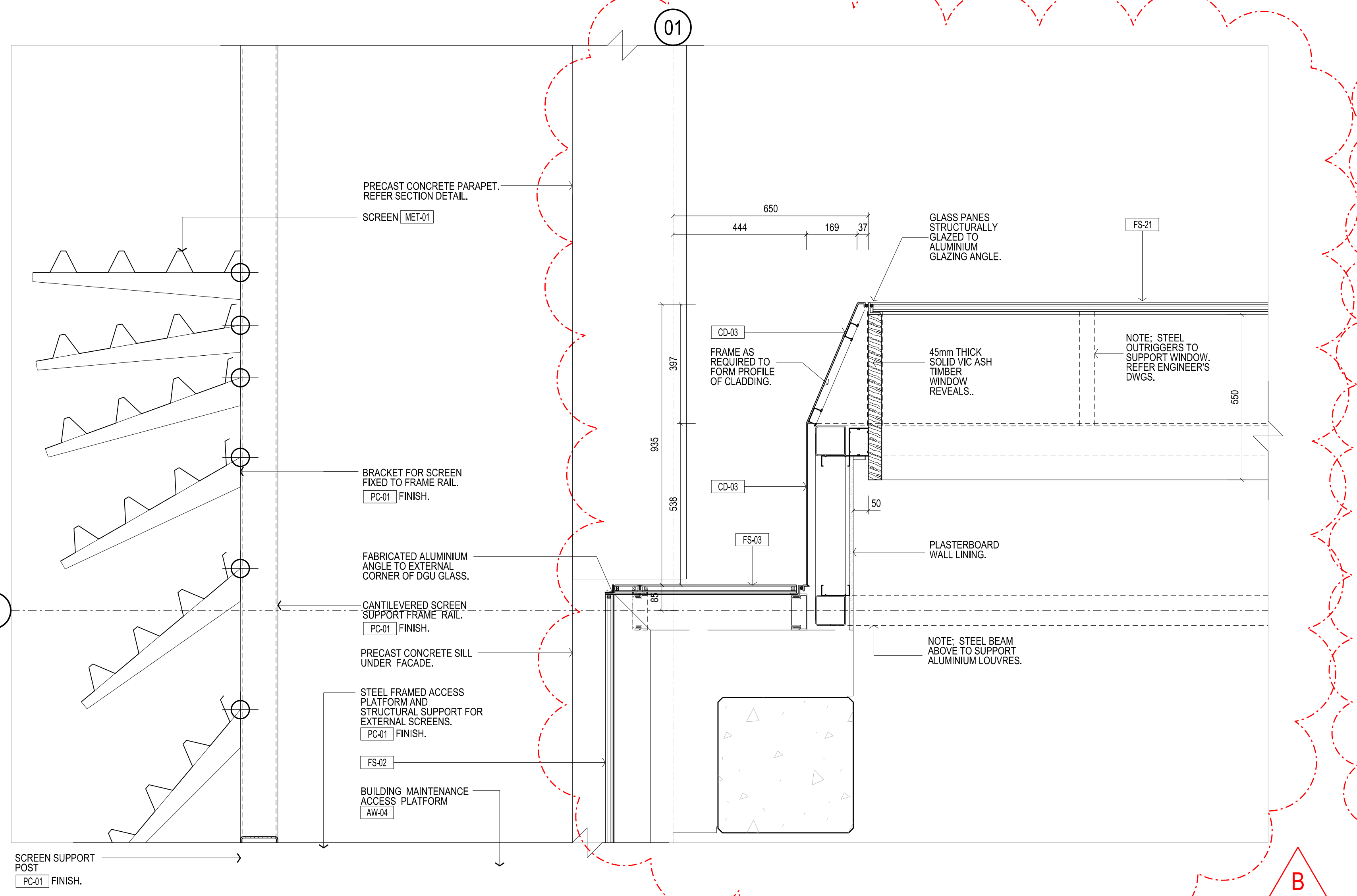
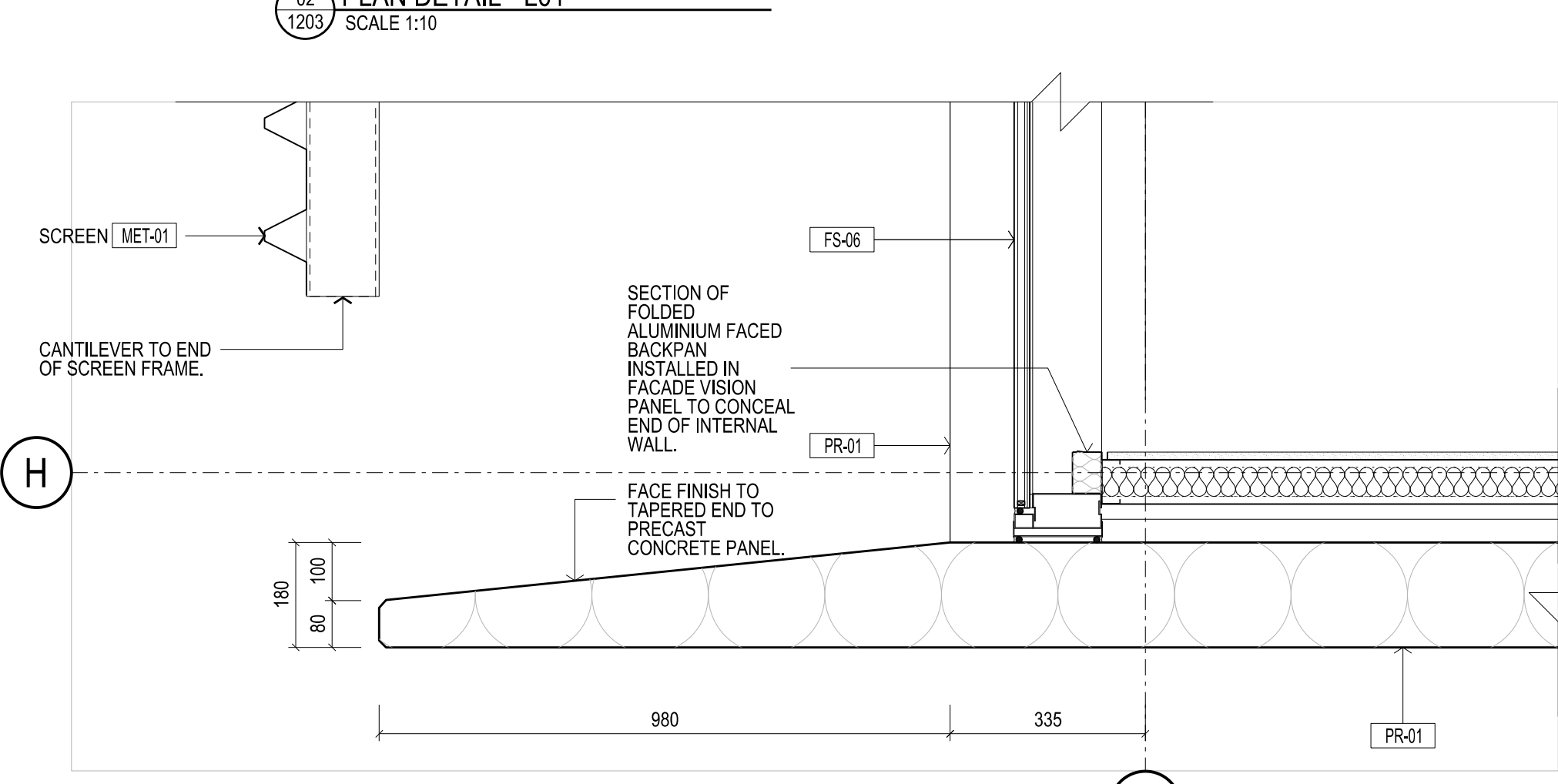
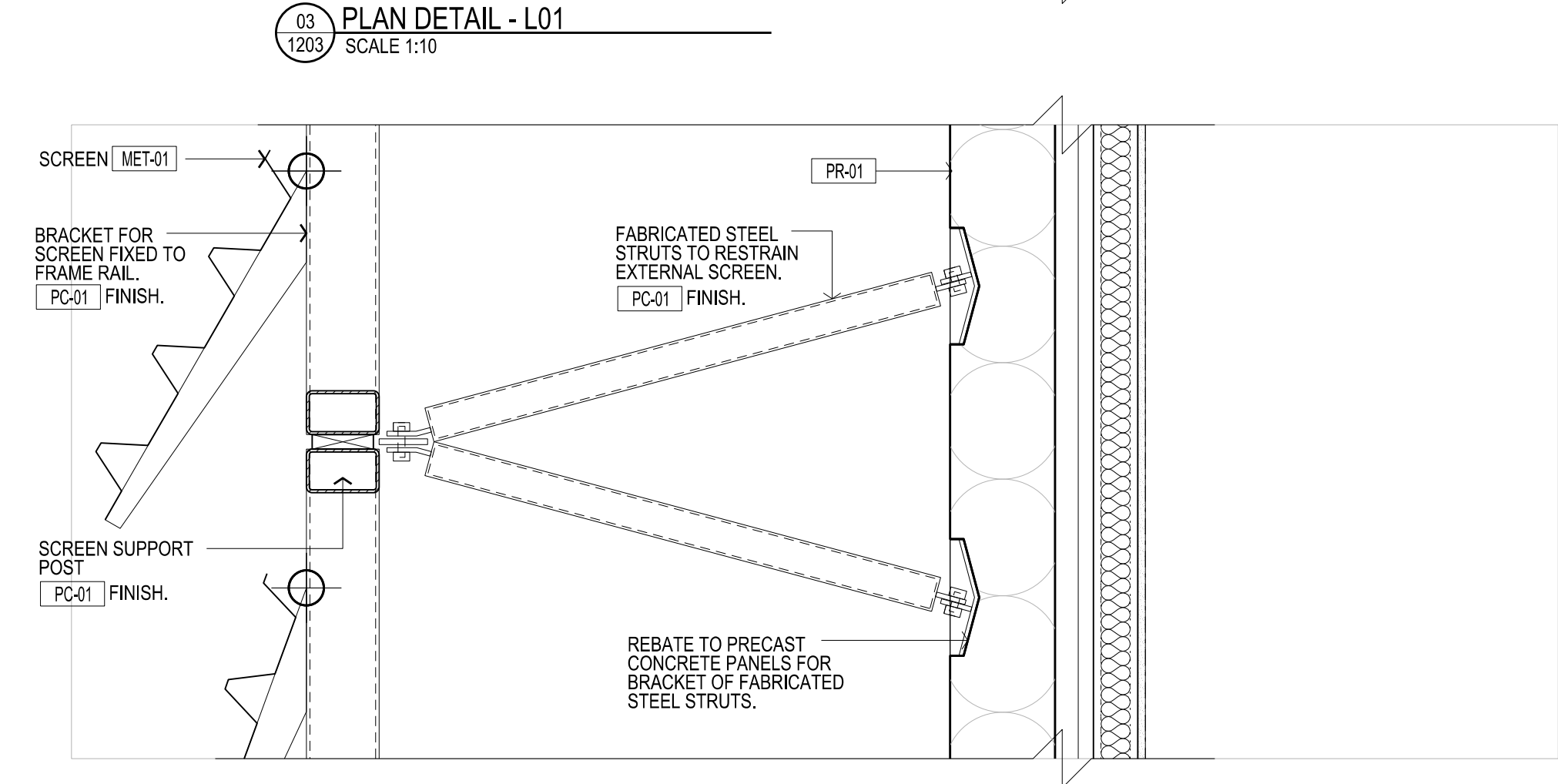
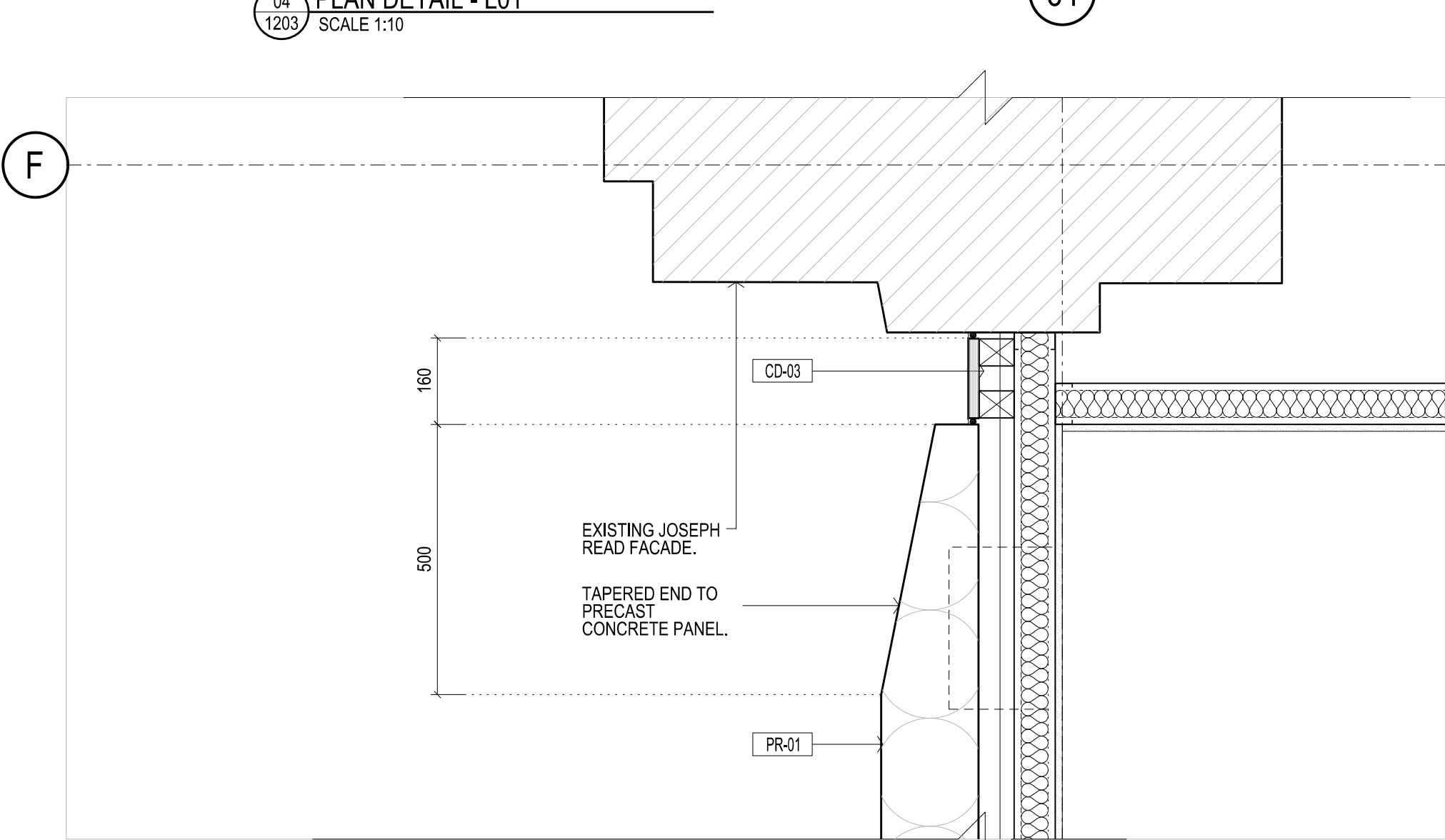
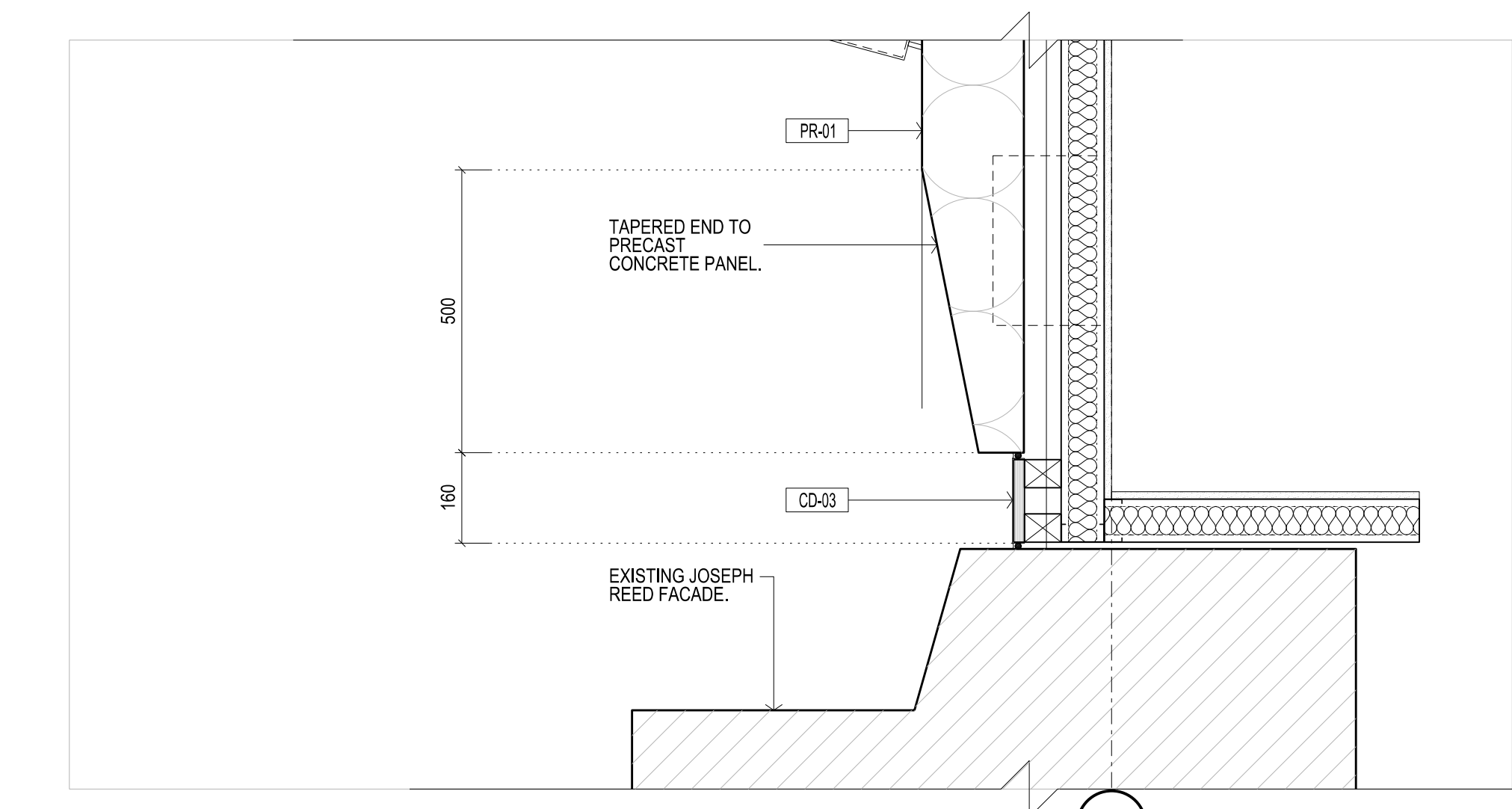
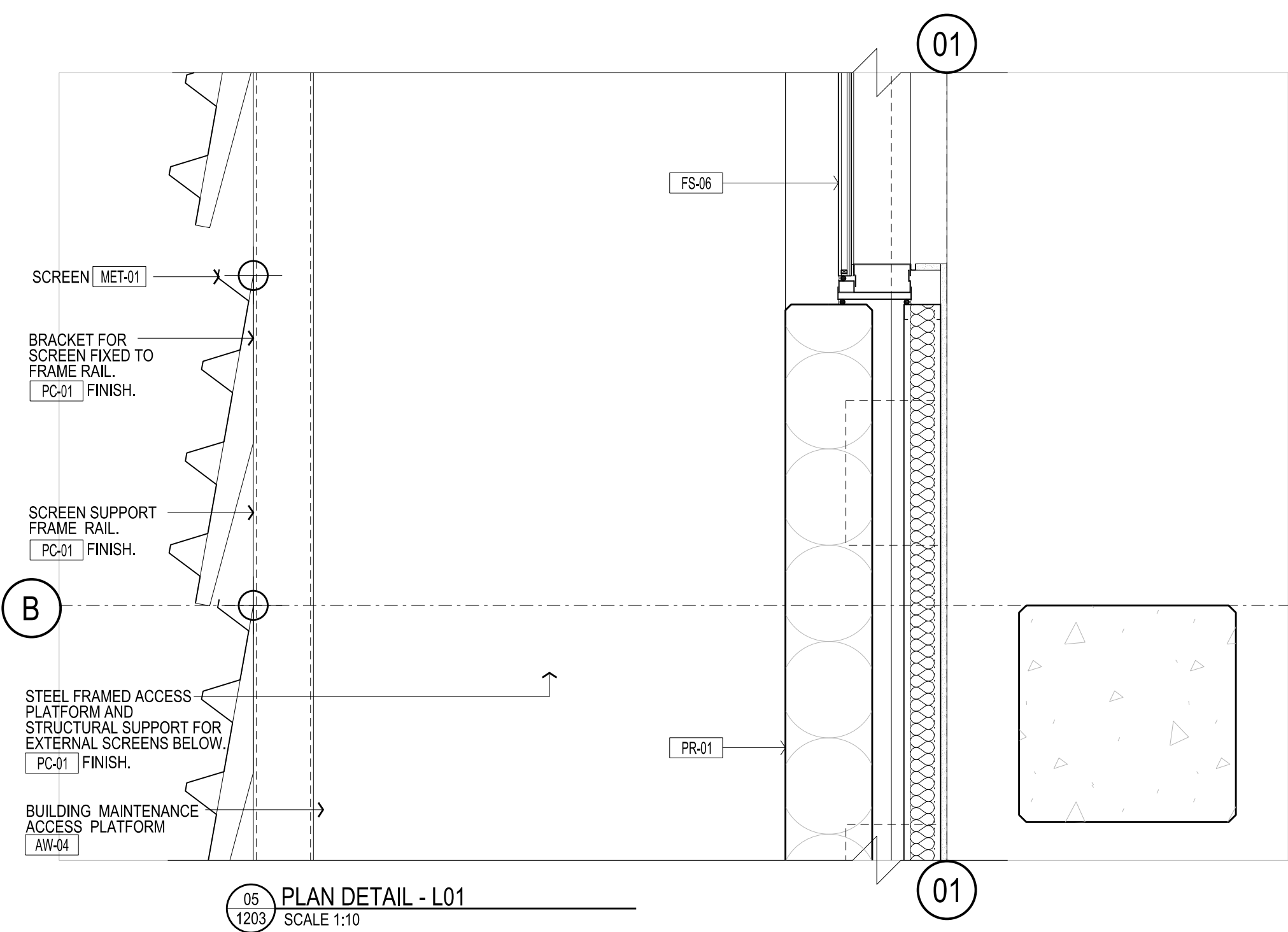


CONTRACTORS SHALL VERIFY JOB DIMENSIONS BEFORE ANY JOB COMMENCES. ALL SHOP DRAWINGS SHALL BE SUBMITTED TO THE SUPERINTENDENT AND MANUFACTURERS SHALL NOT COMMENCE FROM THE RETURN OF UNAWARDED SHOP DRAWINGS BEING BY THE CONSULTANT. FIGURED DIMENSIONS SHALL TAKE PRECEDENCE OVER SCALES. THIS DRAWING SHALL BE READ IN CONJUNCTION WITH ALL RELEVANT CONTRACT SPECIFICATIONS AND DRAWINGS COPYRIGHT OF THIS DRAWING IS VESTED IN NADAAA.

General Notes

REFER ARCHITECTURAL DRAWINGS:

FACADE SETOUT AR1502-AR1507
 PRECAST SETOUT AR1512-AR1517
 SCREEN SETOUT AR1502-AR1517
 SCREEN DETAILS AR6550-AR6554



Rev	Issue	Revision Description	And	Date
B	SG	Date 06, 07 & 08 AMENDED, Del 12 ADDED.	-	02.12.13
A	SG	PLASTERBOARD PACKAGE	-	18.09.13
		REFERENCE DWG CHANGE FROM 1500-1200'S		
07	SG	TENDER ISSUE	-	16.04.13
06	SG	VALUE MANAGEMENT ISSUE	-	28.03.13
05	SG	PRECAST REVIEW	-	21.03.13
04	SG	100% CD ISSUE	-	07.09.12
03	SG	90% CD ISSUE	-	10.08.12
02	SG	75% CD ISSUE	-	13.07.12
01	SG	55% CD ISSUE	-	08.06.12



NADAAA
 NADAAA
 1520 Washington Street No.2 Boston Massachusetts 02118 USA
 Telephone +1 617 442 8232 Facsimile +1 688 442 1417 Email nadaaa@nadaaa.com

John Wardle Architects
 25 Rokeby Street, Collingwood, Victoria 3066 Australia
 Tel: +61 3 8662 0400 www.johnwardlearchitects.com
 © 2012 John Wardle Architects ABN 63 006 814 268

Client **University of Melbourne Parkville Campus**
 Project **Faculty of Architecture Building and Planning**

Title **PLAN DETAILS L01 - SHEET 1**

Project No.	0913	Scale	1:10 @ A0 1:20 @ A2
Drawing No.	AR6004	Revision	B
Date	Dec 2011	Drawn	-
Co-Ord	-	Check	-

FILENAME - SFILES
FOR CONSTRUCTION